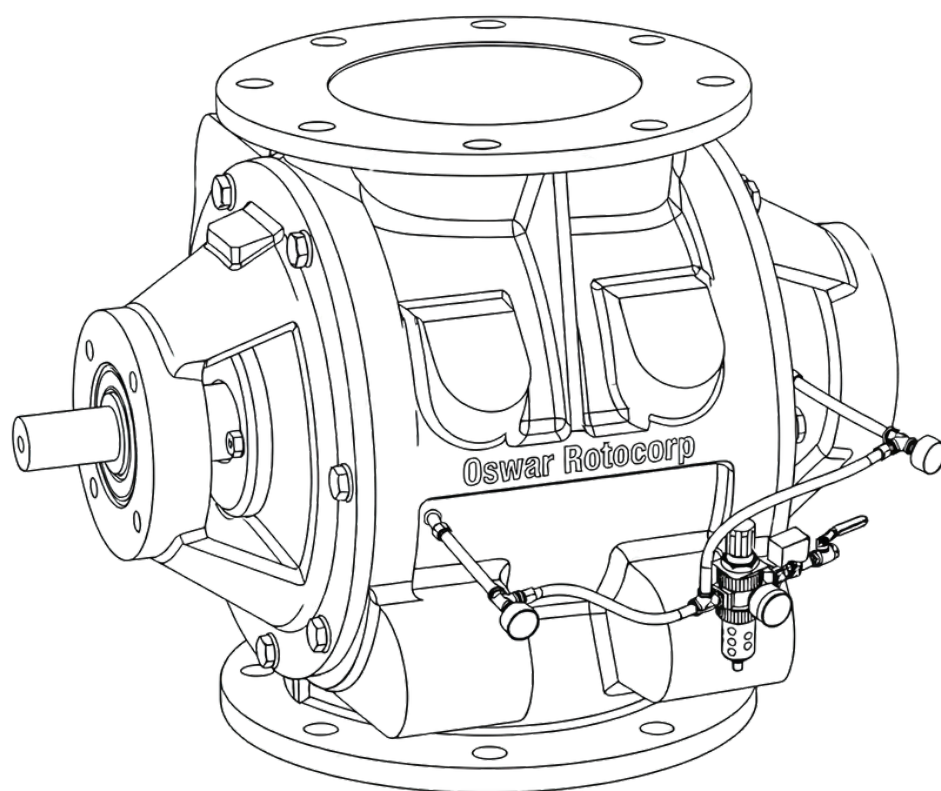



AGRICULTURE & GRAIN HANDLING

BULK AGRO MATERIAL SYSTEMS



OSWAR
rotocorp



Agricultural processing and grain storage facilities handle materials such as wheat, rice, maize, pulses, soybeans, oilseeds, animal feed, and agro by-products. These materials require controlled discharge, consistent feeding, and effective isolation to maintain product quality and prevent contamination.

Oswar Rotocorp provides engineered flow control solutions designed for grain silos, storage bins, pneumatic conveying systems, and feed processing plants. Our equipment ensures smooth material discharge while maintaining airlock efficiency and operational stability.

KEY PROCESS AREAS

GRAIN SILO
DISCHARGE
SYSTEMS

FEED MILL
MATERIAL
HANDLING

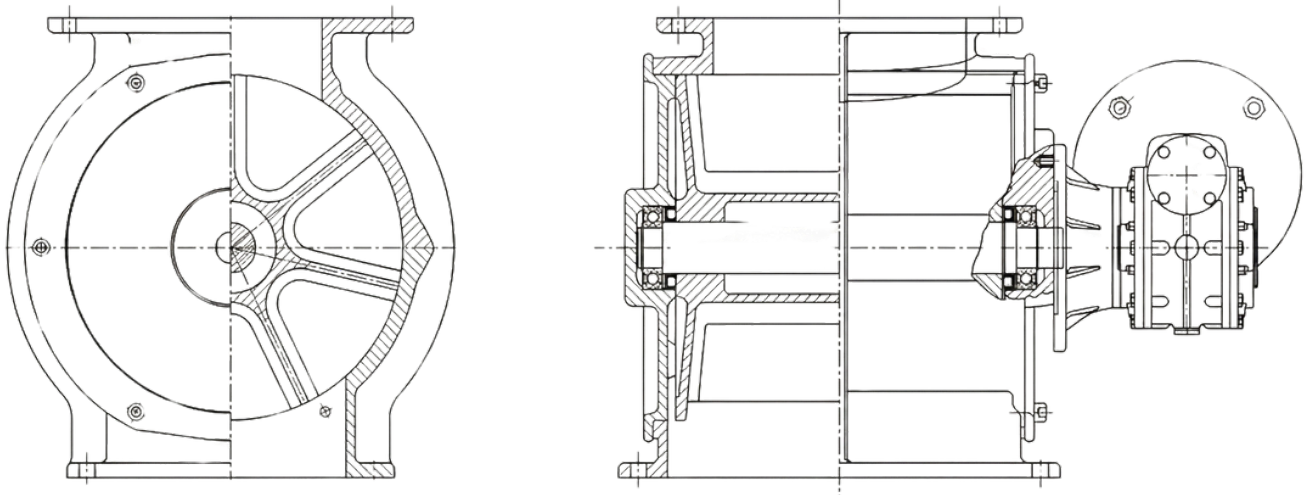
HOPPER & BIN
ISOLATION

DUST CONTROL &
EMISSION
MANAGEMENT

BUILT FOR HIGH-CAPACITY & CONTINUOUS OPERATION

Grain handling systems demand equipment capable of managing large volumes of free-flowing materials while ensuring consistent discharge rates. Equipment must operate reliably under varying seasonal loads and environmental conditions.

Rotary Valves are engineered for smooth and uniform grain discharge while maintaining airlock performance in pneumatic conveying systems. Optimized internal clearances ensure efficient flow without compromising product integrity.



SOLUTION PORTFOLIO INCLUDES:

- Rotary Valves for Grain & Feed Handling
- Pneumatic Conveying Rotary Valves
- Slide Gate Valves for Silo Isolation
- Diverter Valves for Distribution Systems
- Flap / Gravity Gates for Dust Applications

SUPPORTING EFFICIENT & SAFE GRAIN OPERATIONS

- **Controlled & Uniform Grain Discharge**
- **Improved Airlock Efficiency**
- **Reduced Dust Emissions**
- **Stable Operation Under High Volume**
- **Lower Maintenance Requirements**
- **Extended Equipment Service Life**



OSWAR

rotocorp

Corporate Office

Jaipur, Rajasthan India
Nagpur, Maharashtra India

Sales Inquiries

info@oswarrotocorp.com

Helpline

[+44 7917 128505](tel:+447917128505) | +91 77422 36474

Copyright © 2026 OSWAR ROTOCORP. All Rights Reserved. OSWAR® is a registered trademark of **OSWAR ROTOCORP**. This brochure makes no offers, representations or warranties (express or implied), and information and data contained in this brochure are for general reference only and may change at any time.